

Schlagel

Tillage Tools

BUILT BY FARMERS... FOR FARMERS

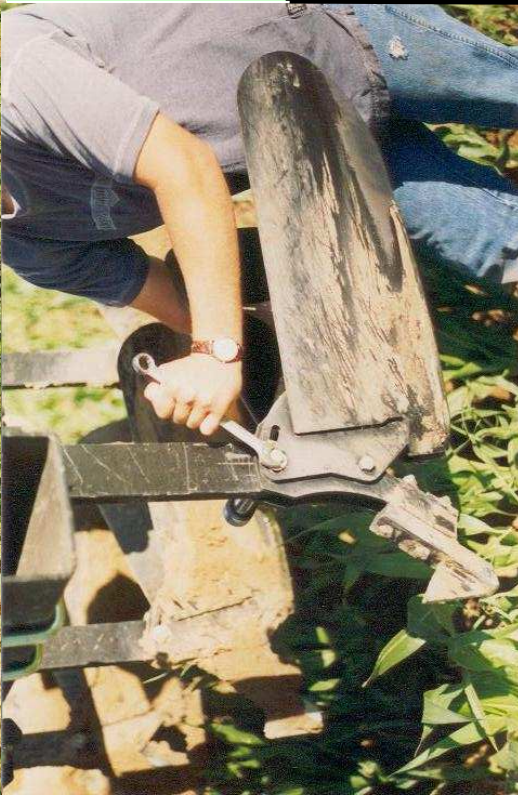
Schlagel Manufacturing, Inc.
4154 Buttermilk Road
Torrington, WY 82240
Toll Free: 1-888-889-1504



Cupped Wing Ditcher

Ditching Bar

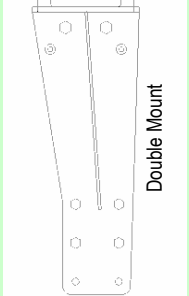
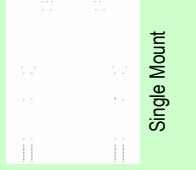
SCHLAGEL



Ditchers have adjustments for:

- wing width
- wing angle
- point angle.

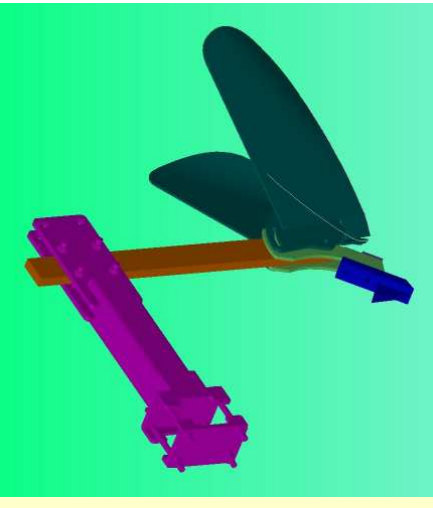
Set them as aggressive as you want. The hard-surfaced tillage point is held on by two bolts for ease of replacement. The point's design prevents slabbing in clay type soils. Clamps are made for 7" bars and are available in single or double configuration. The ditcher wings are made of 1/4" plate and are hard surfaced on the leading edges. Call for further details.



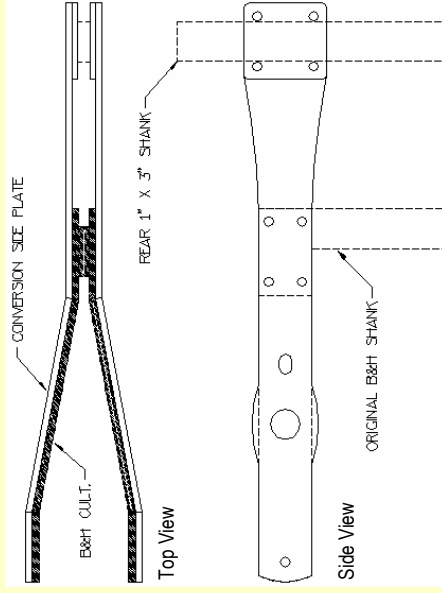
TOLL FREE 888-889-1504

Conversion Kits for B&H Cultivators and John Deere 865 & 885 Cultivators

For John Deere: (color drawing) The kit's main component (shown in purple) replaces the original curved shank and allows mounting of a 1" x 3" shank which can then carry a Schlagel Cupped-Wing Ditcher assembly.



Shanks & ditchers sold separately — (not included in prices of conversion kits.



For B&H: (black & white drawing at left) This kit leaves the original B&H shank in place, but allows mounting of a second shank (1" x 3" or 3/4" x 2 1/2" - sold separately) behind the original shank which can then carry a Schlagel Cupped-Wing Ditcher.