



SCHLAGEL MFG * 4154 BUTTERMILK ROAD * TORRINGTON, WY 82240 * PHONE: 888-889-1504 *

PW-193NT POSI-CLOSE WHEELS INSTRUCTIONS

PW-193NT WHEELS FIT THE FOLLOWING:

JOHN DEERE MAX-EMERGE PLUS & XP & NEWER KINZE PLANTERS (MODEL YEAR 1993 AND NEWER)
WHITE 6000 & 8000 SERIES
MONOSEM NG +2, +3, +4 (Or Older Monosem w/ upgrade)
GREAT PLAINS (NEWER) (including Twin Row)
Or any planter with a 5/8" or 16mm and nut through the closing wheel bearing.

Thank you for choosing SCHLAGEL'S NO-TILL POSI-CLOSE WHEELS to enhance your planting process.

Choosing A Posi-Wheel Setting

Posi-Close Wheels are designed to close the seed trench and firm the soil around the seed while leaving a slightly raised, mulched mound directly over the seed.

PW-193NT No-Till Posi-Close Wheels come fully assembled . One row of wheels consists of one (1) left-hand wheel w/ bearing and one (1) right-hand wheel w/ bearing. When mounting Posi-Close Wheels in standard position the fingers point toward the

inside (or towards each other), and the rods angle down when viewed from the rear of the planter. All diagrams show the wheels from the rear of the planter looking forward.

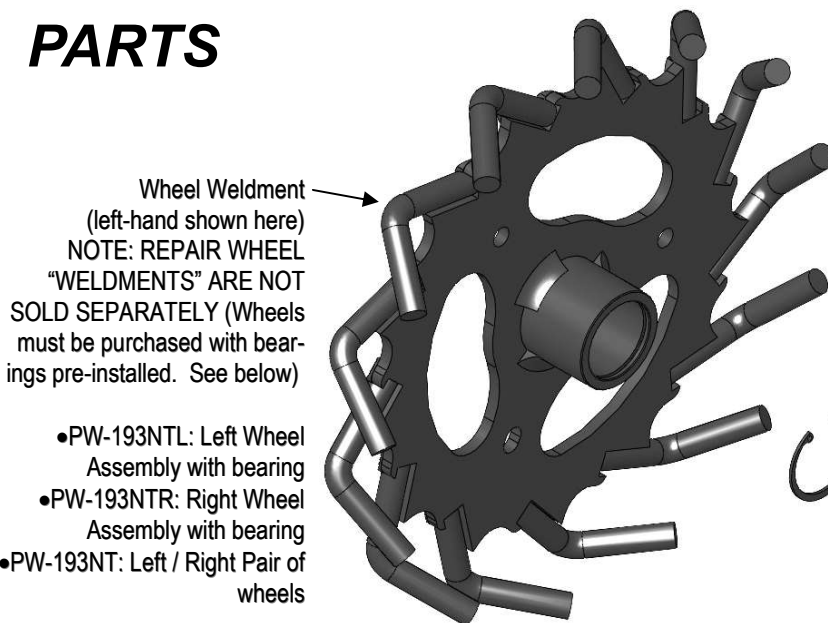
Posi-Close Wheels mount with the existing 5/8" or 16mm bolt & nut through the closing wheel bearing. Re-use the existing spacers and/or washers between the hub and the planter's tailpiece to adjust the wheel spacing. Variance in tailpiece tolerances, planter make, model, and spacers or washers that came with the planter may require new spacers or additional washers .

Most planters have two holes to mount the wheels to—a front or rear hole—on each side of the tail piece. Testing has shown no difference between the staggered or straight-across positions, but to mesh the wheels together, the wheels cannot be staggered.

Warranty Information

Posi-Close Wheels come with a one-year limited warranty against parts and workmanship. **Please contact your dealer for warranty claims.** Have your original sales slip or invoice ready.

PARTS



BEARING

(Qty 1 per L/R wheel)

- Schlagel Part # HW-1390
- John Deere # AN212132
- Shoup Mfg # SH312132
- Peer Bearing # 5203KYY2

Snap Rings

(1-9/16" bore size x 0.06")
(qty 2 per wheel)

- Schlagel Part # HW-1364
- Common industry # HO-156



**Setting #1
STANDARD**

Rods point towards each other and down when looking from behind of the planter.

SETTING #1: Set the wheels with 1/4" - 1/2" between the rods. This setting seems to work best in most soil conditions and tillage practices.



**Setting #2
MESHED**

Rods point towards each other and down when looking from behind of the planter.

SETTING #2: Set the Posi-Close Wheels with the rods meshed for a more aggressive closing of the seed trench. At a certain width the wheels will "lock up" when they are slightly meshed together. Rotate the wheels a few times to ensure they will spin freely. If they do lock up, move the wheels closer together.

KINZE PLANTER OWNERS: On some Kinze planters A meshing kit (part # PW-227) is required to mesh wheels together.



**Setting #3
SWAPPED**

Rods point away from each other and down when looking from behind of the planter.

SETTING #3: Swapping the wheels is the most aggressive setting to close the seed trench as the tips of the rods hit the ground first. This setting works well for hard no-till soil conditions.

Note: Due to slight discrepancies in tailpieces, the settings from one row to the next may differ. A slight wobble does not affect the wheels' performance. It is common to have 1/8" or more wobble.

Call Schlagel Mfg (toll free 1-888-889-1504) if you have any questions, concerns, or for additional guidance.

