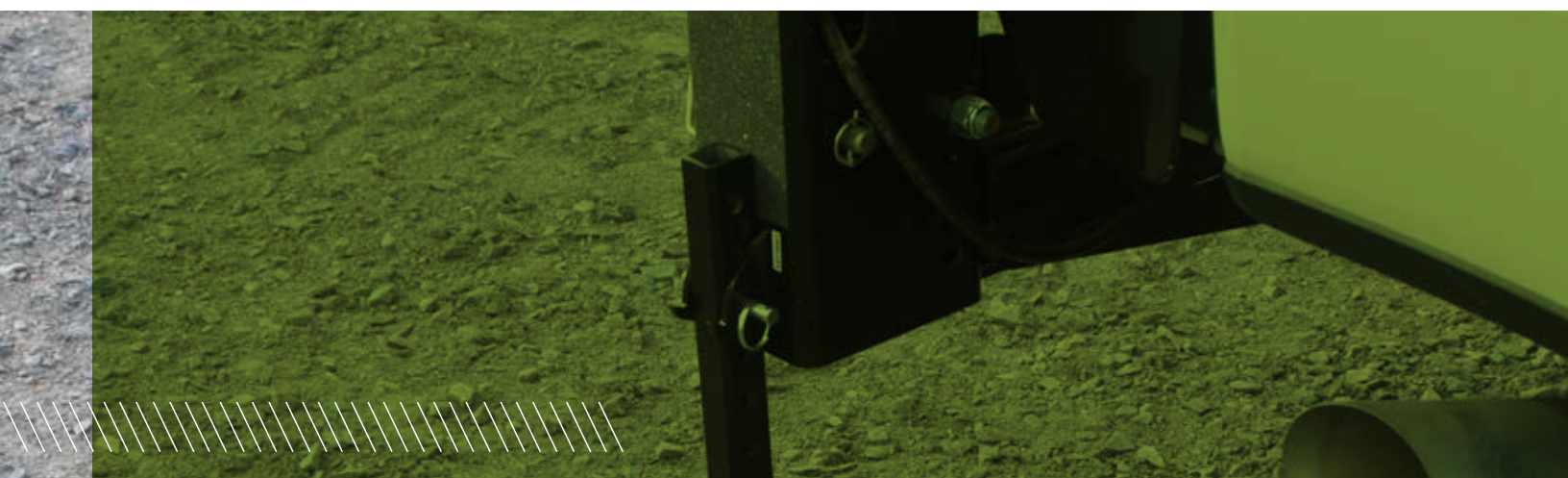


# BUMPER HOIST





# BUMPER

---

# HOIST

## THE HANDIEST TOOL YOU'LL EVER BUY!

With its impressive lifting capabilities (up to 1,000 lb.), this is an ideal tool for contractors, service people, farmers, utility companies, and anyone who's ready to increase productivity, decrease injuries, and solve many common delivery and service problems. You can easily turn the work of two or more people into a simple, near-effortless job for one.

Thanks to swiveling hydraulic fittings inside the mast, the boom reach can rotate indefinitely—allowing you to complete tasks that other hoists simply can't do.

TURN THE WORK OF 2+ PEOPLE

INTO A QUICK, SIMPLE JOB FOR ONE



WHEN NOT IN USE,  
THE BUMPER HOIST  
**NEATLY**  
FOLDS DOWN  
TO STORE INSIDE THE BUMPER



Operation is simple, using a handheld, quick-response control unit with buttons for "up" and "down." A 20' long remote switch makes it so one operator can control raising and lowering a load with one hand, and stabilize the load with the other.

If you're ready to save money, save your back, and get more work done in less time, invest in a Quik-Lift Bumper Hoist today!



A lockable tool box on the left-hand side of the bumper stores the control switch, power cable, chains, and tools, while a storage compartment in the main frame of the hoist holds your included stabilizer stands.





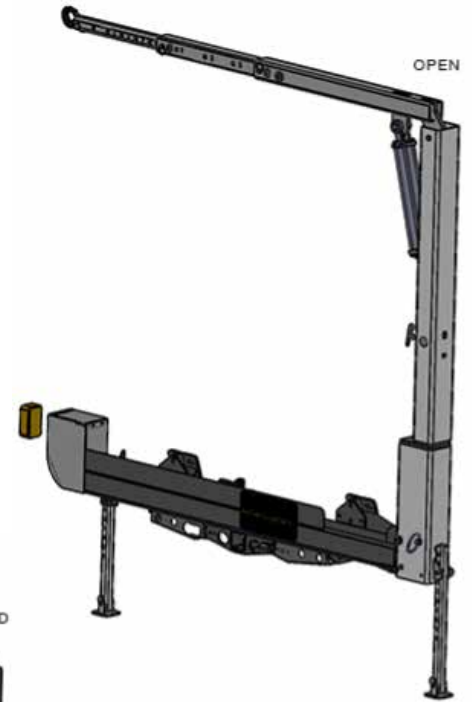
# BUMPER HOIST

## POWER AND HYDRAULICS

The hydraulic system consists of a 12V DC electric/hydraulic pump with mounted solenoid control valve. (Note: If interference is encountered, this pump can be remotely mounted.)

When the "up" button on the control unit is depressed, a solenoid engages the power for the motor and pressure is applied to the unit. When the "down" button is depressed, a solenoid opens the valve (motor stays off) and the pressure is released from the cylinders.

The power requirements of the hoist are minimal, and continual use is possible. We include a heavy, 4-gauge battery cable (25'), which must be connected to a good 12V source (such as battery or contact) before use.



 **SCHLAGEL**

Our products are simple, yet stalwart, and they're built and tested to ensure they'll be in it for the long haul.

Visit our website to locate a trusted Schlagel dealer near you. Have questions? Just give us a call!

[www.schlagel.net](http://www.schlagel.net)  
1.888.889.1504

